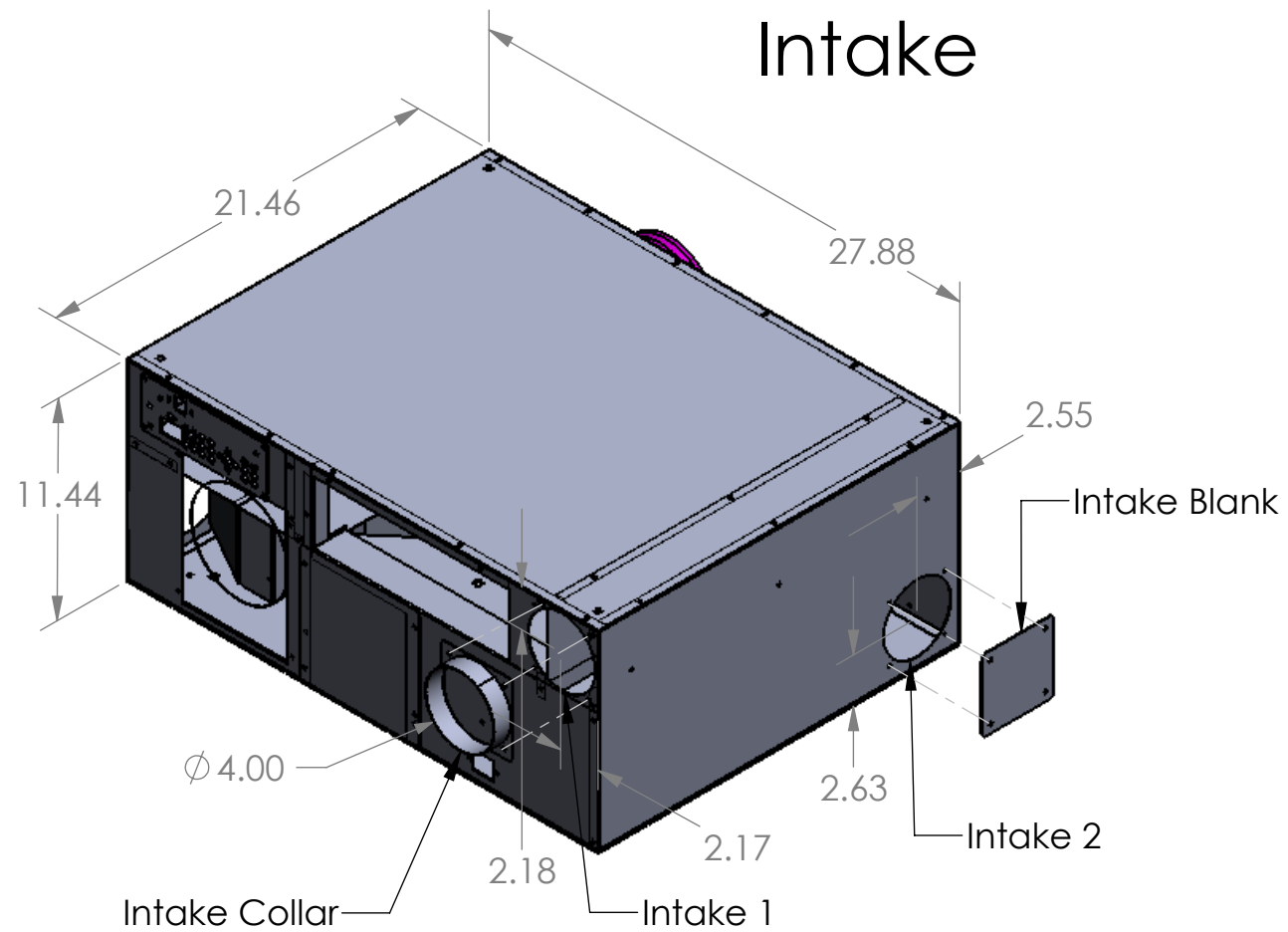
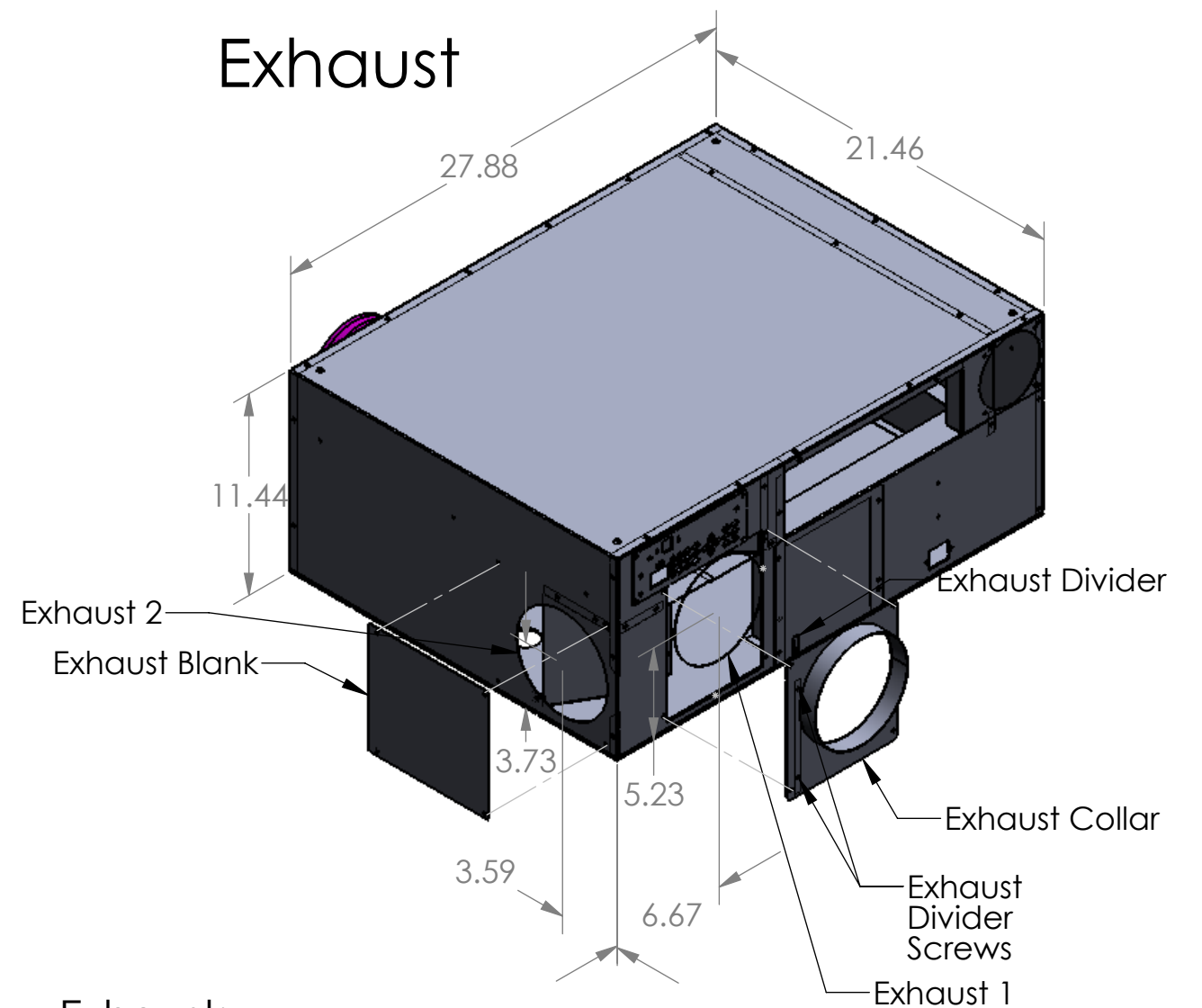


Intake



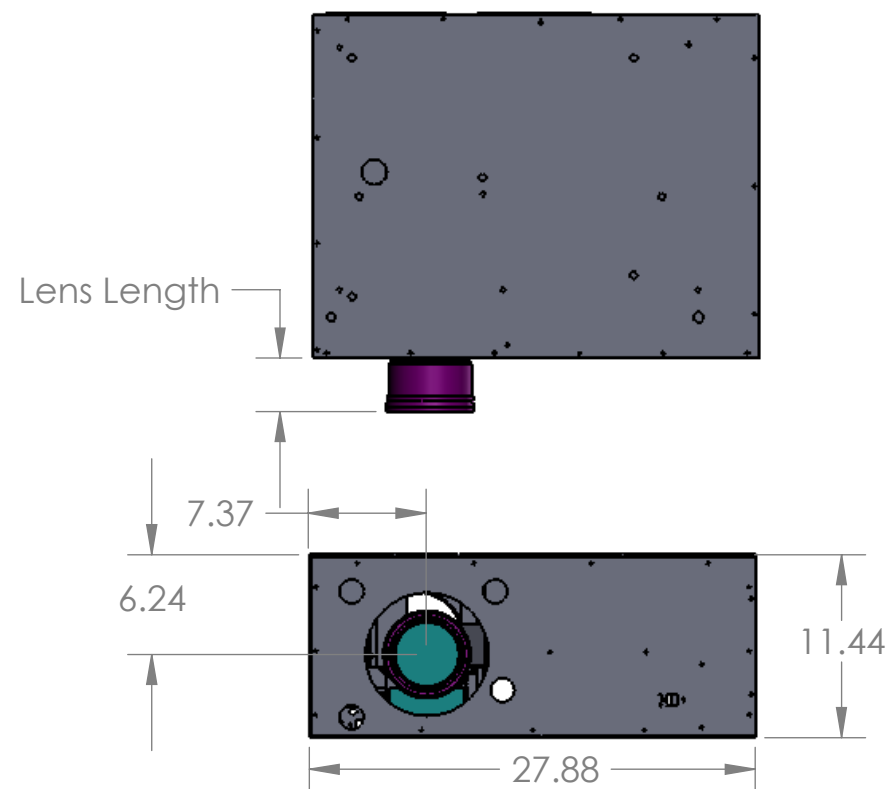
Intake:
Intake collar and intake blank can be interchanged between intake 1 & 2 depending on where ducting is coming from.

Exhaust



Exhaust:
Exhaust collar and exhaust blank can be interchanged between exhaust 1 & 2 depending where ducting is coming from. If Exhaust 1 is used the *exhaust divider* must be attached using noted screws. If exhaust 2 is used *exhaust divider* must be removed.

Lenses



Lens	Lens Length
4.1-6.9	0
2.6-4.1	1.99
1.8-2.6	2.25
1.4-1.8	3.63
.67 RP	4.04
1.1 RP	6.56